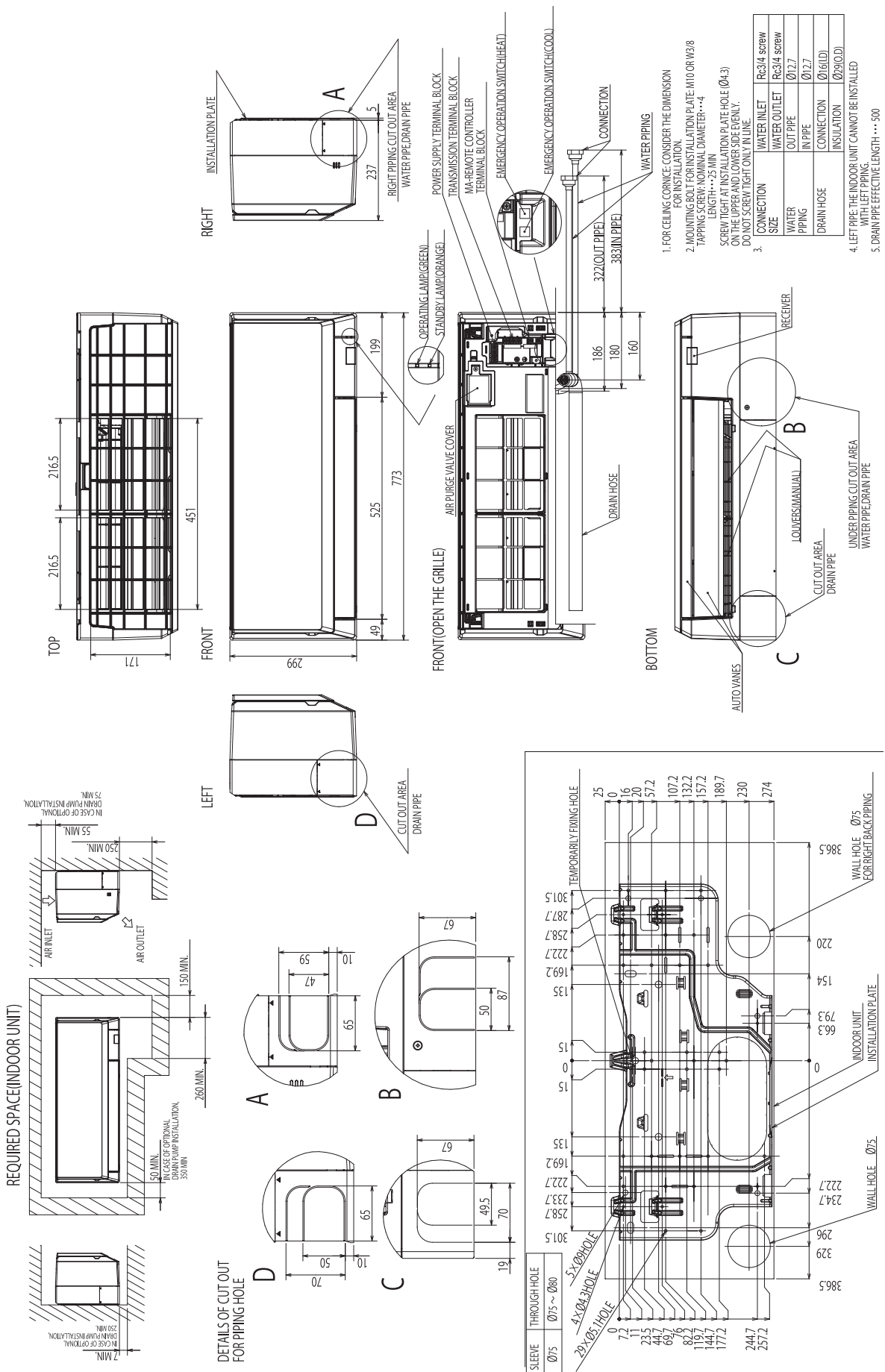


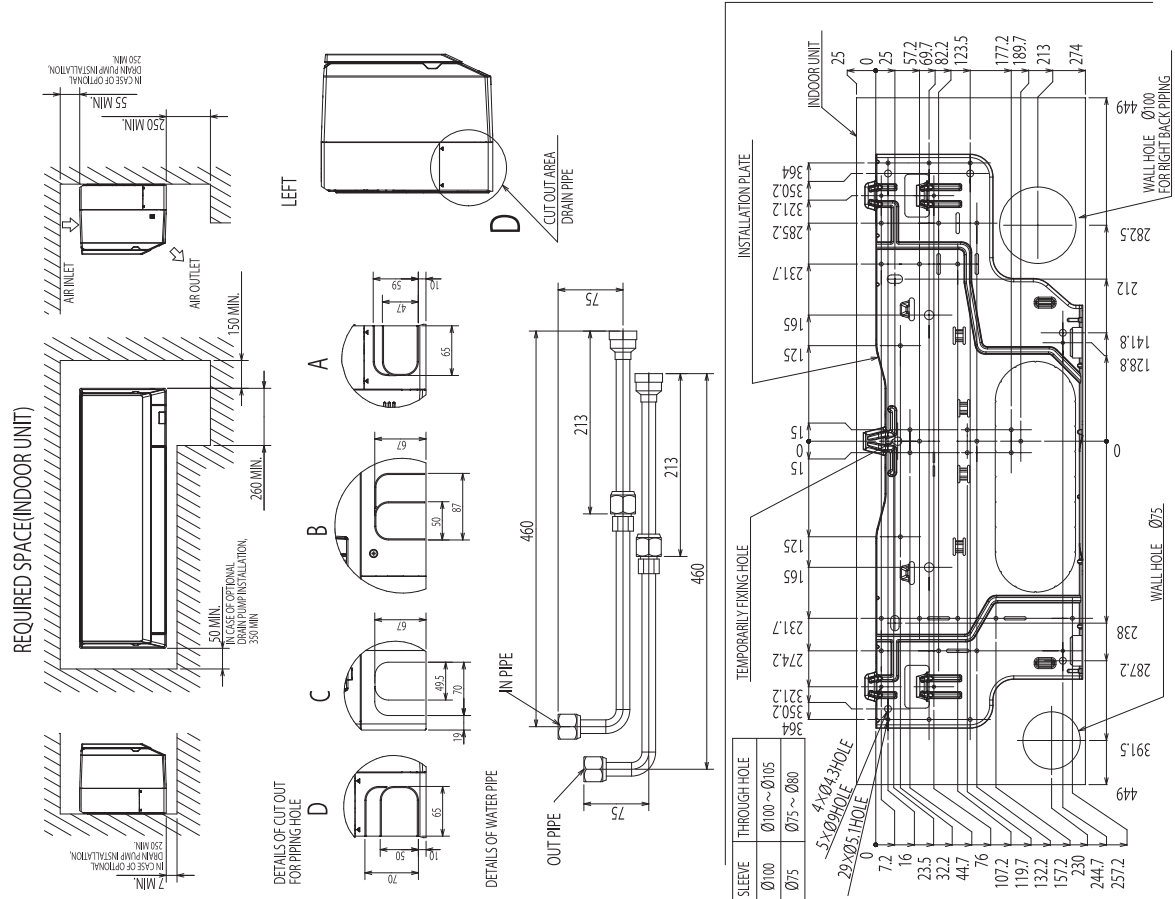
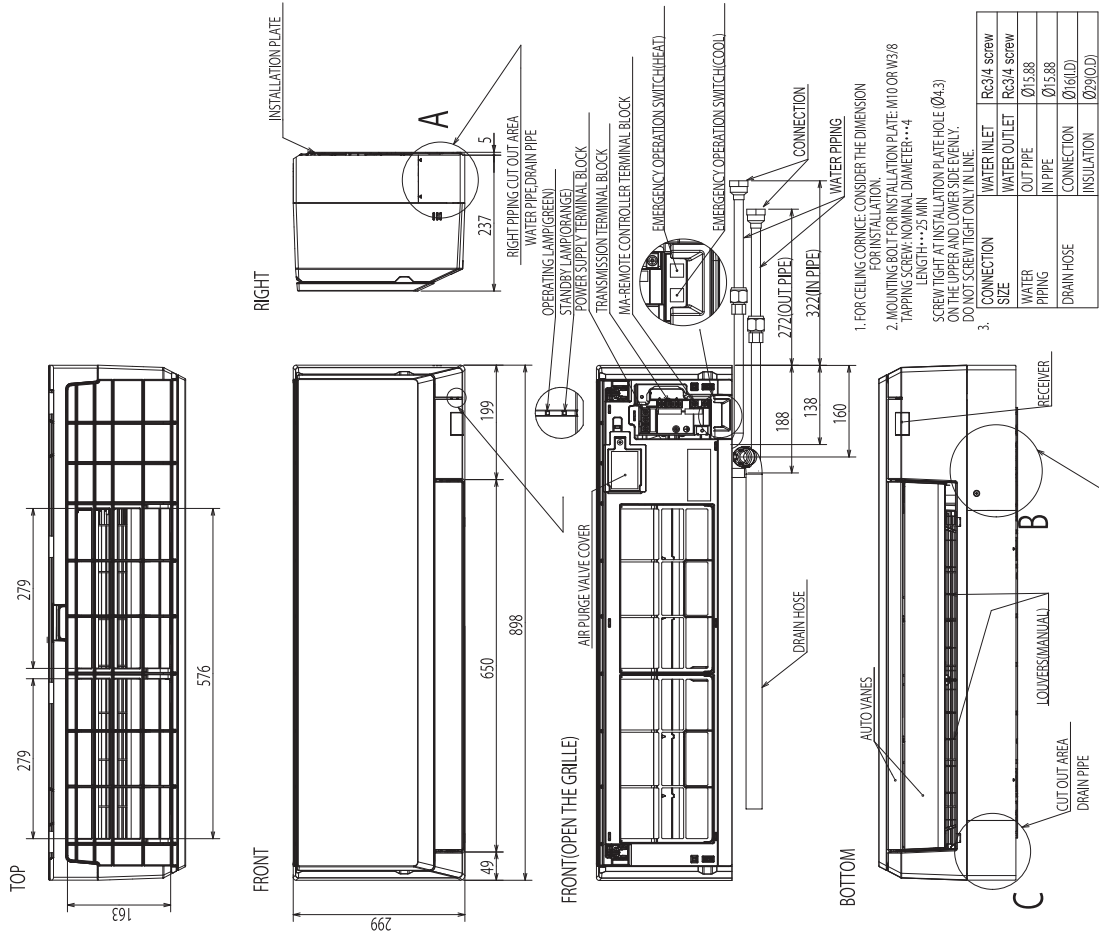
PKFY-WL10, 15, 20, 25VLM-E

Unit: mm



PKFY-WL32, 40VLM-E

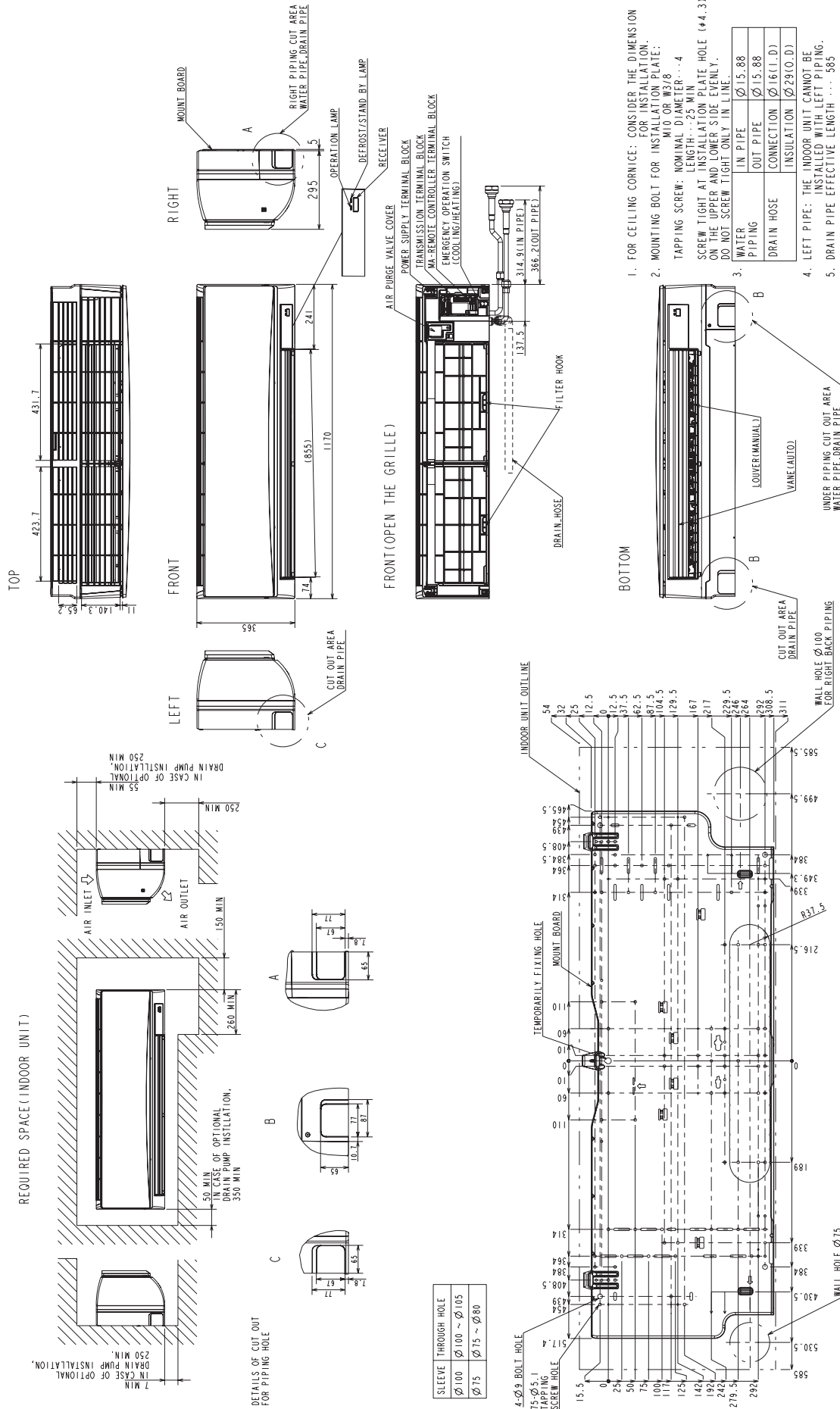
Unit: mm



PKFY-WL-VLM-E, VKM-E

PKFY-WL50, 63, 80VKM-E

Unit: mm



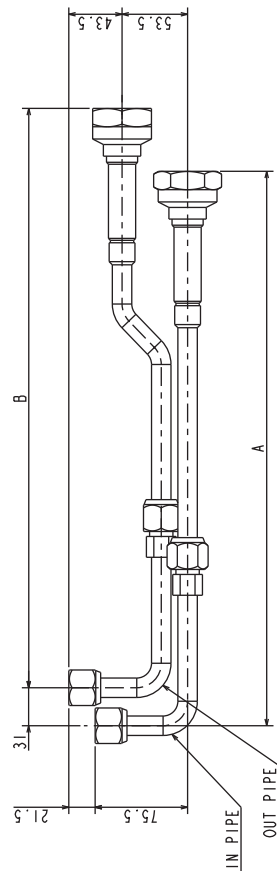
PKFY-WL-VLM-E, VKM-E

PKFY-WL50, 63, 80VKM-E

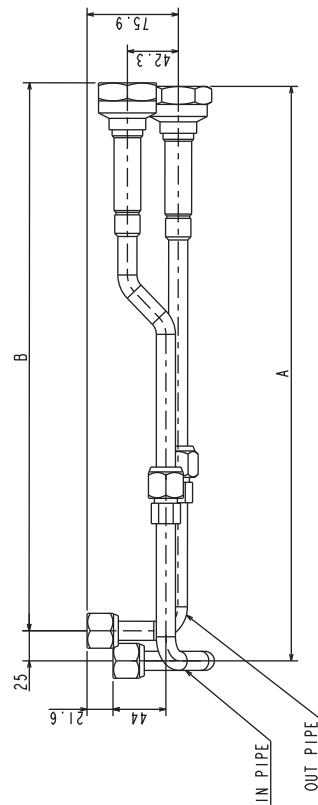
Unit: mm

DETAILS OF WATER PIPE

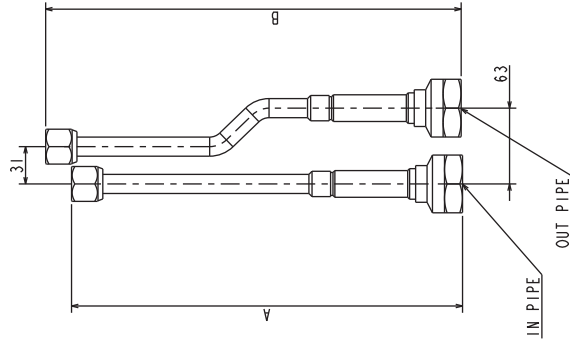
FOR RIGHT PIPING WORK



FOR RIGHT REAR PIPING WORK



FOR RIGHT BOTTOM PIPING WORK



DIMENSIONAL CHANGE DUE TO JOINT (mm)

	FOR RIGHT BOTTOM PIPING WORK		FOR RIGHT REAR PIPING WORK		FOR RIGHT REAR PIPING WORK	
	A	B	A	B	A	B
A/B						
WL50(RC3/4)	319	339.4	446.6	466.9	471.5	449.4
WL63/80(RC1-1/4)	325	345.4	452.6	472.9	477.5	455.4