

PLFY-P-VLMD-E

1. SPECIFICATIONS	1 - 152
2. EXTERNAL DIMENSIONS	1 - 154
3. CENTER OF GRAVITY	1 - 157
4. ELECTRICAL WIRING DIAGRAMS	1 - 158
5. SOUND LEVELS	1 - 160
5-1. Sound levels	1 - 160
5-2. NC curves	1 - 160
6. OA INTAKE-STATIC PRESSURE CURVES	1 - 162
7. BRANCH DUCT INTAKE-STATIC PRESSURE CURVES	1 - 163
8. TEMPERATURE/AIRFLOW DISTRIBUTIONS	1 - 164
8-1. Temperature distributions	1 - 164
8-2. Airflow distributions	1 - 164
9. ELECTRICAL CHARACTERISTICS	1 - 165
10. OPTIONAL PARTS	1 - 166
10-1. Optional parts line up for the Indoor unit	1 - 166
10-2. OA duct flange	1 - 166

1. SPECIFICATIONS

Ceiling cassette (2-way flow type)

Model		PLFY-P20VLMD-E	PLFY-P25VLMD-E	PLFY-P32VLMD-E	PLFY-P40VLMD-E		
Power source		1-phase 220-240V 50Hz, 1-phase 220-230V 60Hz					
Cooling capacity (Nominal)	*1	kW	2.2	2.8	3.6	4.5	
	*1	kcal / h	1,900	2,400	3,100	3,900	
	*1	BTU / h	7,500	9,600	12,300	15,400	
	*3	Power input	kW	0.072 / 0.075	0.072 / 0.075	0.072 / 0.075	0.081 / 0.085
	*3	Current input	A	0.36 / 0.37	0.36 / 0.37	0.36 / 0.37	0.40 / 0.42
Heating capacity (Nominal)	*2	kW	2.5	3.2	4.0	5.0	
	*2	kcal / h	2,200	2,800	3,400	4,300	
	*2	BTU / h	8,500	10,900	13,600	17,100	
	*3	Power input	kW	0.065 / 0.069	0.065 / 0.069	0.065 / 0.069	0.074 / 0.079
	*3	Current input	A	0.30 / 0.32	0.30 / 0.32	0.30 / 0.32	0.34 / 0.37
External finish		Unit : Galvanized					
External dimension H x W x D		mm	290 x 776 x 634		290 x 776 x 634		
		in.	11-7/16 x 30-9/16 x 25		11-7/16 x 30-9/16 x 25		
Net weight		kg (lbs)	23 (51)	23 (51)	24 (53)	24 (53)	
Decoration panel	Model		CMP-40VLW-C	CMP-40VLW-C	CMP-40VLW-C	CMP-40VLW-C	
	External finish		ABS, MUNSELL (6.4Y 8.9/0.4), include Service Panel : Galvanized, MUNSELL (6.4Y 8.9/0.4)				
	Dimension		20 x 1,080 x 710				
	H x W x D		13/16 x 42-9/16 x 28				
	Net weight		6.5 (15)				
Heat exchanger		Cross fin					
FAN	Type x Quantity		Turbo fan x 1	Turbo fan x 1	Turbo fan x 1	Turbo fan x 1	
	External static press.	Pa	0	0	0	0	
		mmH ₂ O	0	0	0	0	
	Motor type		1-phase induction motor				
	Motor output	kW	0.015 (at 240V)	0.015 (at 240V)	0.015 (at 240V)	0.015 (at 240V)	
	Driving mechanism		Direct-driven by motor				
	Airflow rate (Low-Mid-High)	m ³ / min	6.5 - 8.0 - 9.5	6.5 - 8.0 - 9.5	6.5 - 8.0 - 9.5	7.0 - 8.5 - 10.5	
		L / s	108 - 133 - 158	108 - 133 - 158	108 - 133 - 158	117 - 142 - 175	
cfm		230 - 283 - 335	230 - 283 - 335	230 - 283 - 335	247 - 300 - 371		
Sound pressure level (Low-Mid-High) (measured in anechoic room)	*3	dB <A>	27 - 30 - 33 (220, 240V)	27 - 30 - 33 (220,240V)	27 - 30 - 33 (220,240V)	29 - 33 - 36 (220,240V)	
		dB <A>	28 - 31 - 34 (230V)	28 - 31 - 34 (230V)	28 - 31 - 34 (230V)	30 - 34 - 37 (230V)	
Insulation material		Polystyrene foam, Polyethylene foam, Urethane foam					
Air filter		PP honeycomb fabric (long life filter)					
Protection device		Fuse					
Refrigerant control device		LEV					
Connectable outdoor unit		R410A CITY MULTI					
Diameter of refrigerant pipe	Liquid (R410A)	mm (in.)	ø6.35 (ø1/4) Flare	ø6.35 (ø1/4) Flare	ø6.35 (ø1/4) Flare	ø6.35 (ø1/4) Flare	
	Gas (R410A)	mm (in.)	ø12.7 (ø1/2) Flare	ø12.7 (ø1/2) Flare	ø12.7 (ø1/2) Flare	ø12.7 (ø1/2) Flare	
Field drain pipe size		mm (in.)	O.D. 32mm (1-1/4)				
Drawing	External		IU-W275-920				
	Wiring		IU-W653-952				
	Refrigerant cycle		-				
Standard attachment	Document		Installation Manual, Instruction Book				
	Accessory		Drain hose I.D. 32mm (1-1/4) (flexible joint)				
Remark	Optional parts						
	Decoration panel		CMP-40VLW-C	CMP-40VLW-C	CMP-40VLW-C	CMP-40VLW-C	
	OA duct flange		PAC-KH110F	PAC-KH110F	PAC-KH110F	PAC-KH110F	
	Installation		Details on foundation work, duct work, insulation work, electrical wiring, power source switch, and other items shall be referred to the Installation Manual.				
Note :		*1 Nominal cooling conditions	*2 Nominal heating conditions		Unit converter		
		Indoor : 27°CDB/19°CWB (81°FDB/66°FWB)	20°CDB (68°FDB)		kcal/h = kW x 860		
		Outdoor : 35°CDB (95°FDB)	7°CDB/6°CWB (45°FDB/43°FWB)		BTU/h = kW x 3,412		
		Pipe length : 7.5 m (24-9/16 ft)	7.5 m (24-9/16 ft)		cfm = m ³ /min x 35.31		
		Level difference : 0 m (0 ft)	0 m (0 ft)		lbs = kg / 0.4536		
		* Nominal conditions *1, *2 are subject to JIS B8615-1.				*Above specification data is subject to rounding variation.	
		* Due to continuing improvement, above specification may be subject to change without notice.					
		*3 The values are measured at the factory setting of external static pressure.					

PLFY-P-VLMD-E

1. SPECIFICATIONS

Ceiling cassette (2-way flow type)

Model		PLFY-P50VLM-D-E	PLFY-P63VLM-D-E	PLFY-P80VLM-D-E	PLFY-P100VLM-D-E	PLFY-P125VLM-D-E	
Power source		1-phase 220-240V 50Hz, 1-phase 220-230V 60Hz					
Cooling capacity (Nominal)	*1 kW	5.6	7.1	9.0	11.2	14.0	
	*1 kcal / h	4,800	6,100	7,700	9,600	12,000	
	*1 BTU / h	19,100	24,200	30,700	38,200	47,800	
	*3 Power input kW	0.082 / 0.086	0.101 / 0.105	0.147 / 0.156	0.157 / 0.186	0.28 / 0.28	
	*3 Current input A	0.41 / 0.43	0.49 / 0.51	0.72 / 0.74	0.75 / 0.88	1.35 / 1.35	
Heating capacity (Nominal)	*2 kW	6.3	8.0	10.0	12.5	16.0	
	*2 kcal / h	5,400	6,900	8,600	10,800	13,800	
	*2 BTU / h	21,500	27,300	34,100	42,700	54,600	
	*3 Power input kW	0.075 / 0.080	0.094 / 0.099	0.140 / 0.150	0.150 / 0.180	0.27 / 0.27	
	*3 Current input A	0.35 / 0.38	0.43 / 0.46	0.66 / 0.69	0.69 / 0.83	1.33 / 1.33	
External finish		Unit : Galvanized					
External dimension H x W x D		mm	290 x 946 x 634		290 x 1,446 x 634	290 x 1,708 x 606	
		in.	11-7/16 x 37-1/4 x 25		11-7/16 x 56-15/16 x 25	11-7/16 x 67-1/4 x 23-7/8	
Net weight		kg (lbs)	27 (60)	28 (62)	44 (98)	47 (104)	
Decoration panel	Model	CMP-63VLW-C	CMP-63VLW-C	CMP-100VLW-C	CMP-100VLW-C	CMP-125VLW-C	
	External finish	ABS, MUNSELL (6.4Y 8.9/0.4), include Service Panel : Galvanized, MUNSELL (6.4Y 8.9/0.4)					
	Dimension	20 x 1,250 x 710		20 x 1,750 x 710		20 x 2,010 x 710	
	H x W x D	13/16 x 49-1/4 x 28		13/16 x 68-15/16 x 28		13/16 x 79-3/16 x 28	
	Net weight	7.5 (17)		12.5 (28)		13.0 (29)	
Heat exchanger		Cross fin					
FAN	Type x Quantity		Turbo fan x 1	Turbo fan x 1	Turbo fan x 2	Sirocco fan x 4	
	External static press.	Pa	0	0	0	0	
		mmH ₂ O	0	0	0	0	
	Motor type		1-phase induction motor				
Motor output		0.020 (at 240V)	0.020 (at 240V)	0.020 x 2 (at 240V)	0.030 x 2 (at 240V)	0.078 x 2 (at 240V)	
Driving mechanism		Direct-driven by motor					
Airflow rate (Low-Mid-High)	m ³ / min	9.0 - 11.0 - 12.5	10.0 - 13.0 - 15.5	15.5 - 18.5 - 22.0	17.5 - 21.0 - 25.0	24.0 - 27.0 - 30.0 - 33.0	
	L / s	150 - 183 - 208	167 - 217 - 258	258 - 308 - 367	292 - 350 - 417	400 - 450 - 500 - 550	
	cfm	318 - 388 - 441	353 - 459 - 547	547 - 653 - 777	618 - 742 - 883	848 - 953 - 1,059 - 1,165	
Sound pressure level (Low-Mid-High) (measured in anechoic room)	*3 dB <A>	31 - 34 - 37 (220, 240V)	32 - 37 - 39 (220, 240V)	33 - 36 - 39 (220, 240V)	36 - 39 - 42 (220, 240V)	40 - 42 - 44 - 46 (220, 240V)	
	dB <A>	32 - 35 - 38 (230V)	33 - 38 - 40 (230V)	34 - 37 - 40 (230V)	37 - 41 - 43 (230V)	40 - 42 - 44 - 46 (230V)	
Insulation material		Polystyrene foam, Polyethylene foam, Urethane foam					
Air filter		PP honeycomb fabric (long life filter)				Synthetic fiber unwoven cloth filter (long life)	
Protection device		Fuse					
Refrigerant control device		LEV					
Connectable outdoor unit		R410A CITY MULTI					
Diameter of refrigerant pipe	Liquid (R410A)	mm (in.)	ø6.35 (ø1/4) Flare	ø9.52 (ø3/8) Flare	ø9.52 (ø3/8) Flare	ø9.52 (ø3/8) Flare	
	Gas (R410A)	mm (in.)	ø12.7 (ø1/2) Flare	ø15.88 (ø5/8) Flare	ø15.88 (ø5/8) Flare	ø15.88 (ø5/8) Flare	
Field drain pipe size		mm (in.)	O.D. 32mm (1-1/4)				
Drawing	External	IU-W275-920	IU-W275-920	IU-W275-920	IU-W275-920	IU-W275-921	
	Wiring	IU-W653-952	IU-W653-952	IU-W653-952	IU-W653-952	IU-W275-927	
	Refrigerant cycle	-	-	-	-	-	
Standard attachment	Document	Installation Manual, Instruction Book					
	Accessory	Drain hose I.D. 32mm (1-1/4) (flexible joint)					
Remark	Optional parts						
	Decoration panel	CMP-63VLW-C	CMP-63VLW-C	CMP-100VLW-C	CMP-100VLW-C	CMP-125VLW-C	
	OA duct flange	PAC-KH11OF	PAC-KH11OF	PAC-KH11OF	PAC-KH11OF	PAC-KH11OF	
	Installation	Details on foundation work, duct work, insulation work, electrical wiring, power source switch, and other items shall be referred to the Installation Manual.					
Note :		*1 Nominal cooling conditions		*2 Nominal heating conditions		Unit converter	
Indoor :		27°CDB/19°CWB (81°FDB/66°FWB)		20°CDB (68°FDB)		kcal/h = kW x 860	
Outdoor :		35°CDB (95°FDB)		7°CDB/6°CWB (45°FDB/43°FWB)		BTU/h = kW x 3,412	
Pipe length :		7.5 m (24-9/16 ft)		7.5 m (24-9/16 ft)		cfm = m ³ /min x 35.31	
Level difference :		0 m (0 ft)		0 m (0 ft)		lbs = kg / 0.4536	
* Nominal conditions *1, *2 are subject to JIS B8615-1.							*Above specification data is subject to rounding variation.
* Due to continuing improvement, above specification may be subject to change without notice.							
*3 The values are measured at the factory setting of external static pressure.							

PLFY-P-VLM-D-E

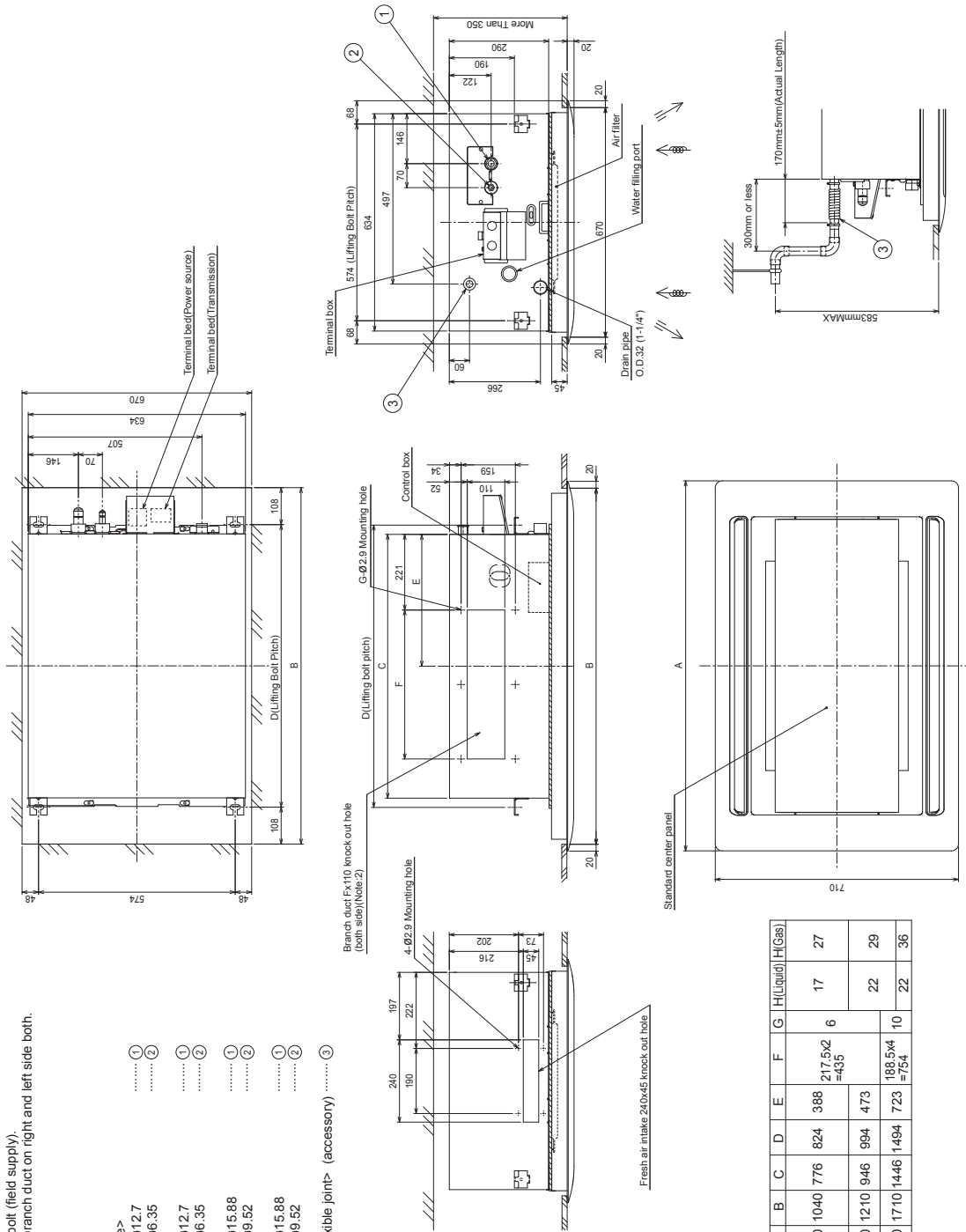
PLFY-P20, 25, 32, 40, 50, 63, 80, 100VLM-D-E

Unit : mm

PLFY-P-VLMD-E

Note: 1. Use M10 screw for the lifting bolt (field supply).
 2. It is available to connect the branch duct on right and left side both.

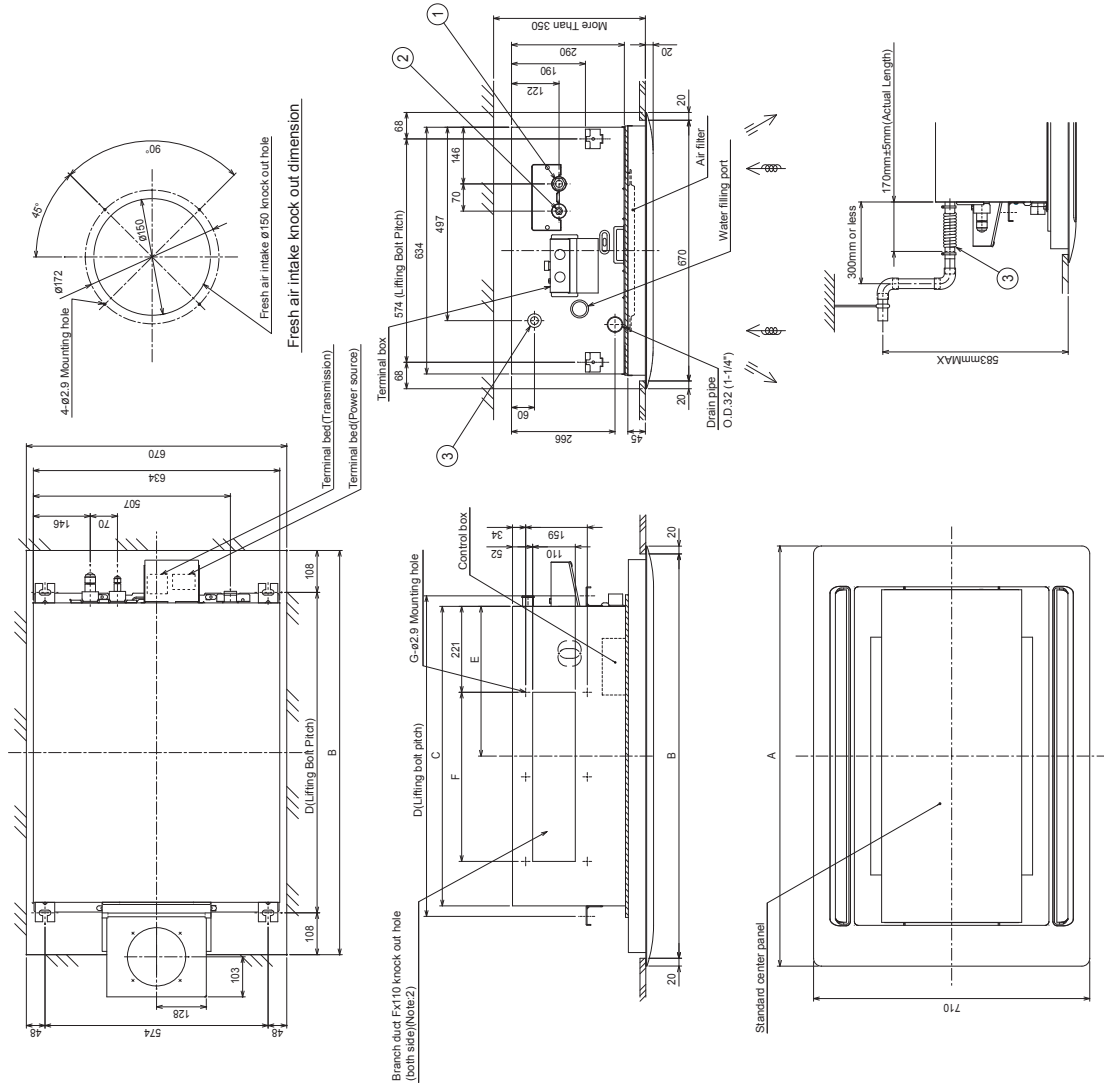
- | | | |
|----------------|---|---------|
| | <flange> | |
| Model | Gas pipe | ①.....② |
| 20, 25, 32, 40 | Liquid pipe | ②.....③ |
| Model | Gas pipe | ①.....② |
| 50 | Liquid pipe | ②.....③ |
| Model | Gas pipe | ①.....② |
| 63, 80 | Liquid pipe | ②.....③ |
| Model | Gas pipe | ①.....② |
| 100 | Liquid pipe | ②.....③ |
| Drain hose | I.D. 32 (1-1/4") <flexible joint> (accessory) | ③.....③ |



Model	A	B	C	D	E	F	G	H (Liquid)	H (Gas)
PLFY-P20VLM-D-E	1080	1040	776	824	388	217.5x2 =435	6	17	27
PLFY-P25VLM-D-E									
PLFY-P32VLM-D-E									
PLFY-P40VLM-D-E									
PLFY-P50VLM-D-E	1250	1210	946	994	473			22	29
PLFY-P63VLM-D-E									
PLFY-P80VLM-D-E	1750	1710	1446	1494	723	188.5x4 =754	10	22	36
PLFY-P100VLM-D-E									

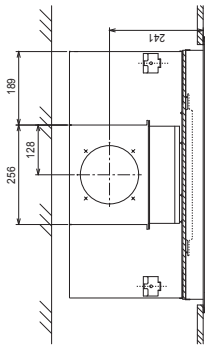
PLFY-P20, 25, 32, 40, 50, 63, 80, 100VLMD-E with OA duct flange

Unit : mm



Note: 1. Use M10 screw for the lifting bolt (field supply).
 2. It is available to connect the branch duct on right and left side both.

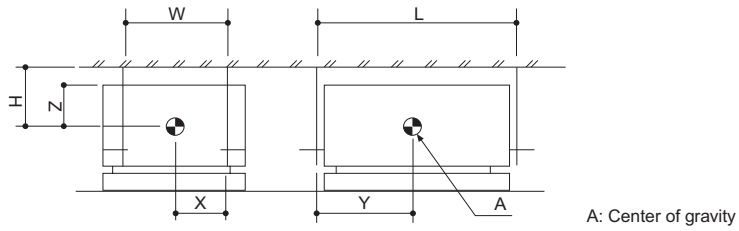
Model	<flange>	Gas pipe	Liquid pipe	①	②
20,25,32,40	ø12.7	ø6.35		①	②
50	ø12.7	ø6.35		①	②
63,80	ø15.88	ø9.52		①	②
100	ø15.88	ø9.52		①	②
Drain hose	I.D. 32 (1-1/4")	<flexible joint>	(accessory)	③	



Model	A	B	C	D	E	F	G
PLFY-P20VLMD-E	1080	1040	776	824	388	217.5x2	6
PLFY-P25VLMD-E						=435	
PLFY-P32VLMD-E	1250	1210	946	994	473		
PLFY-P40VLMD-E	1750	1710	1446	1494	723	188.5x4	10
PLFY-P63VLMD-E						=754	
PLFY-P100VLMD-E							

PLFY-P-VLMD-E

PLFY-P20, 25, 32, 40, 50, 63, 80, 100, 125VLMD-E

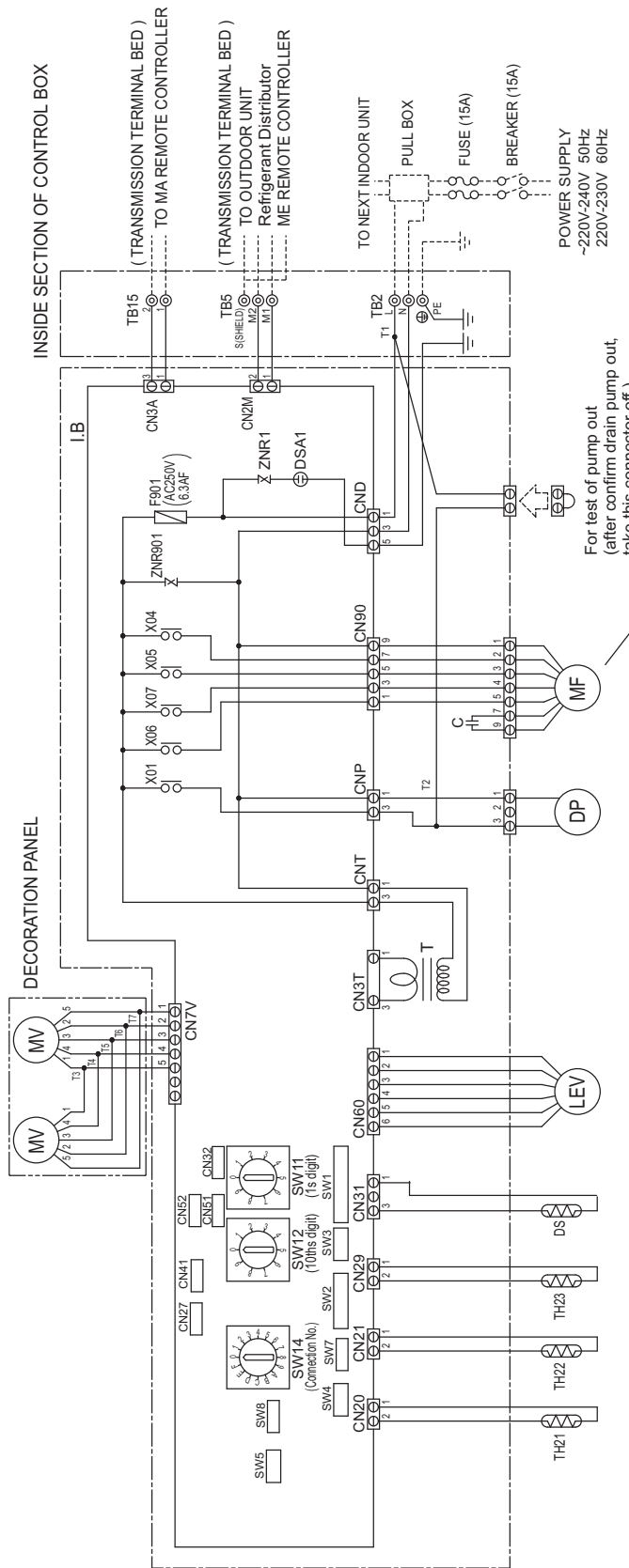


Model name	W	L	H	X	Y	Z
PLFY-P20VLMD-E	574 [22-5/8]	824 [32-15/32]	172 [6-25/32]	287 [11-5/16]	370 [14-19/32]	160 [6-5/16]
PLFY-P25VLMD-E	574 [22-5/8]	824 [32-15/32]	172 [6-25/32]	287 [11-5/16]	370 [14-19/32]	160 [6-5/16]
PLFY-P32VLMD-E	574 [22-5/8]	824 [32-15/32]	172 [6-25/32]	287 [11-5/16]	370 [14-19/32]	160 [6-5/16]
PLFY-P40VLMD-E	574 [22-5/8]	824 [32-15/32]	172 [6-25/32]	287 [11-5/16]	370 [14-19/32]	160 [6-5/16]
PLFY-P50VLMD-E	574 [22-5/8]	994 [32-5/32]	172 [6-25/32]	287 [11-5/16]	445 [17-17/32]	160 [6-5/16]
PLFY-P63VLMD-E	574 [22-5/8]	994 [32-5/32]	172 [6-25/32]	287 [11-5/16]	445 [17-17/32]	160 [6-5/16]
PLFY-P80VLMD-E	574 [22-5/8]	1494 [58-27/32]	172 [6-25/32]	287 [11-5/16]	655 [25-13/16]	160 [6-5/16]
PLFY-P100VLMD-E	574 [22-5/8]	1494 [58-27/32]	172 [6-25/32]	287 [11-5/16]	655 [25-13/16]	160 [6-5/16]
PLFY-P125VLMD-E	574 [22-5/8]	1756 [69-5/32]	203 [8]	287 [11-5/16]	758 [29-27/32]	181 [7-5/32]

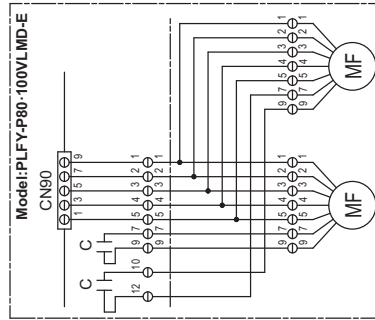
(mm)[in]

PLFY-P20, 25, 32, 40, 50, 63, 80, 100VLM-D-E

PLFY-P-VLMD-E



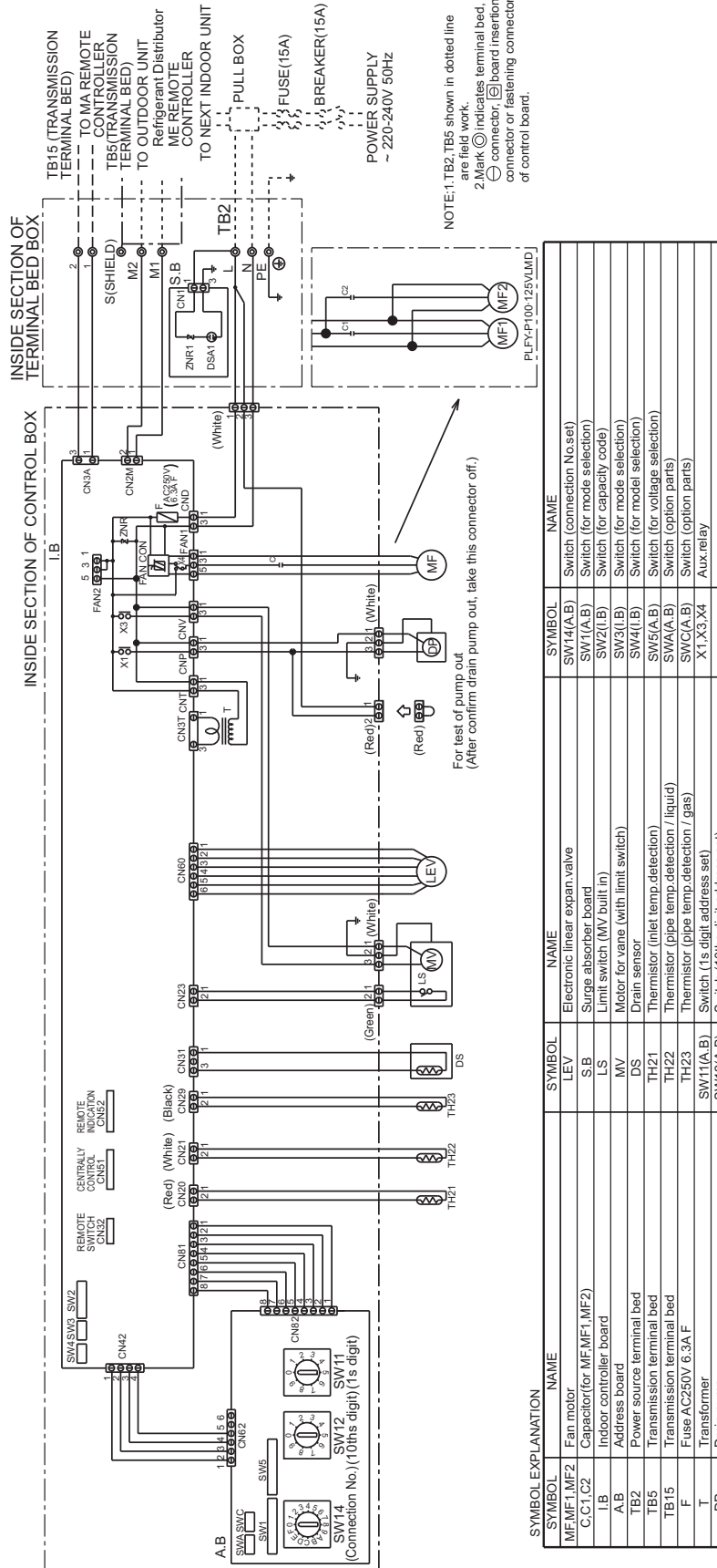
NOTE : 1. TB2, TB5, and TB15 shown in dotted line are field work.
 2. Mark ⊕ indicates terminal bed, ⊙ connector, ⊞ board insertion connector of fastening connector of control board.



SYMBOL EXPLANATION

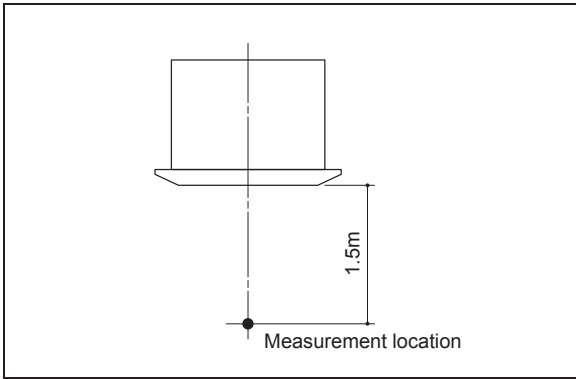
SYMBOL	NAME	SYMBOL	NAME	SYMBOL	NAME
MF	Fan motor	CN27	Connector (Damper)	SW11	Switch (1s digit address set)
C	Capacitor(for MF)	CN32	Connector (Centrally control)	SW12	Switch (10ths digit address set)
I.B	Indoor controller board	CN41	Connector (HA terminal-A)	SW14	Switch (connection No. set)
TB5	Power source terminal bed	CN51	Connector (Centrally control)	SW1	Switch (for mode selection 1)
TB15	Transmission terminal bed	CN52	Connector (Remote indication)	SW2	Switch (for capacity code)
ZNR1;ZNR901	MA Remote controller terminal bed	X01	Aux.relay (Drain pump)	SW3	Switch (for mode selection 2)
F901	Fuse (6.3A/6A)	X04	Aux.relay (L notch;240V)	SW4	Switch (for model selection)
ZNR1;ZNR901	Varistor	X05	Aux.relay (ML notch;240V/220-230V)	SW5	Switch (for voltage selection)
T	Transformer	X06	Aux.relay (H notch;220-230V)	SW7	Switch (for model selection)
DP	Drain pump	X07	Aux.relay (HM notch;240V/220-230V)	SW8	Switch (for mode selection 3)
LEV	Electronic linear expan.valve	TH21	Thermistor (Inlet temp.detection)	T1-T7	Terminal
DS	Drain sensor	TH22	Thermistor (pipe temp.detection/liquid)		
MV	Motor for valve	TH23	Thermistor (pipe temp.detection/gas)		

PLFY-P125VLM-D-E



5-1. Sound levels

PLFY-P-VLMD-E



* Measured in anechoic room

Sound level at anechoic room : Low-Mid-High

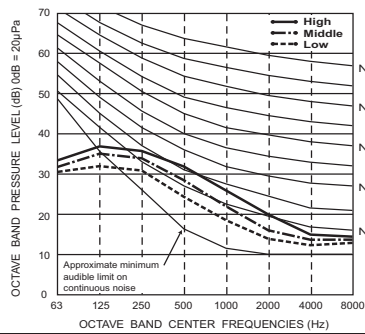
	Sound level dB (A)	
	220,240V	230V
PLFY-P20VLMD-E	27-30-33	28-31-34
PLFY-P25VLMD-E		
PLFY-P32VLMD-E		
PLFY-P40VLMD-E	29-33-36	30-34-37
PLFY-P50VLMD-E	31-34-37	32-35-38
PLFY-P63VLMD-E	32-37-39	33-38-40
PLFY-P80VLMD-E	33-36-39	34-37-40
PLFY-P100VLMD-E	36-39-42	37-41-43
PLFY-P125VLMD-E	40-42-44-46	

5-2. NC curves

PLFY-P-VLMD-E

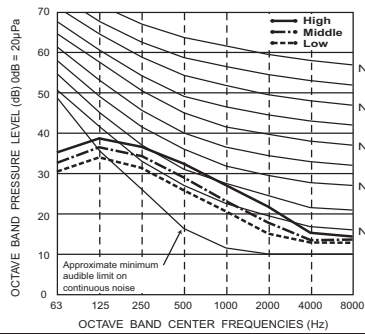
PLFY-P20,25VLMD-E

External static pressure : 0Pa
Power source : 220,240V, 50/60Hz



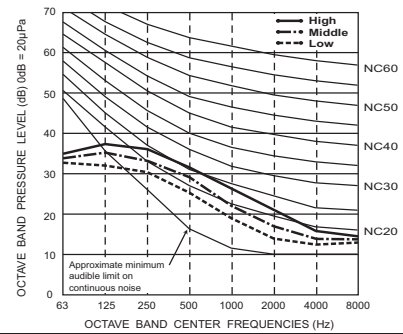
PLFY-P20,25VLMD-E

External static pressure : 0Pa
Power source : 230V, 50/60Hz



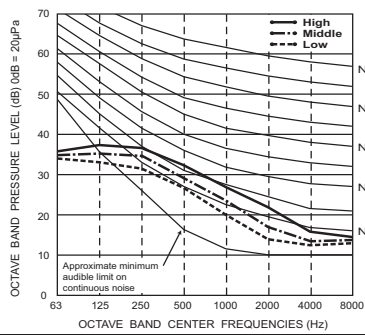
PLFY-P32VLMD-E

External static pressure : 0Pa
Power source : 220,240V, 50/60Hz



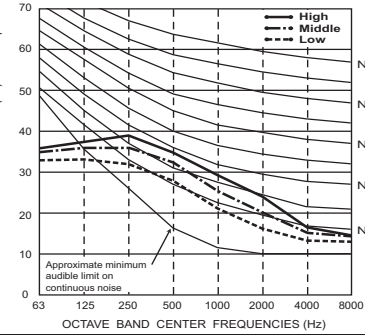
PLFY-P32VLMD-E

External static pressure : 0Pa
Power source : 230V, 50/60Hz



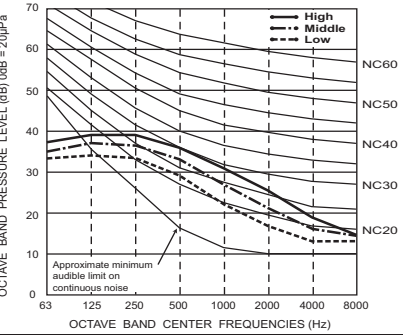
PLFY-P40VLMD-E

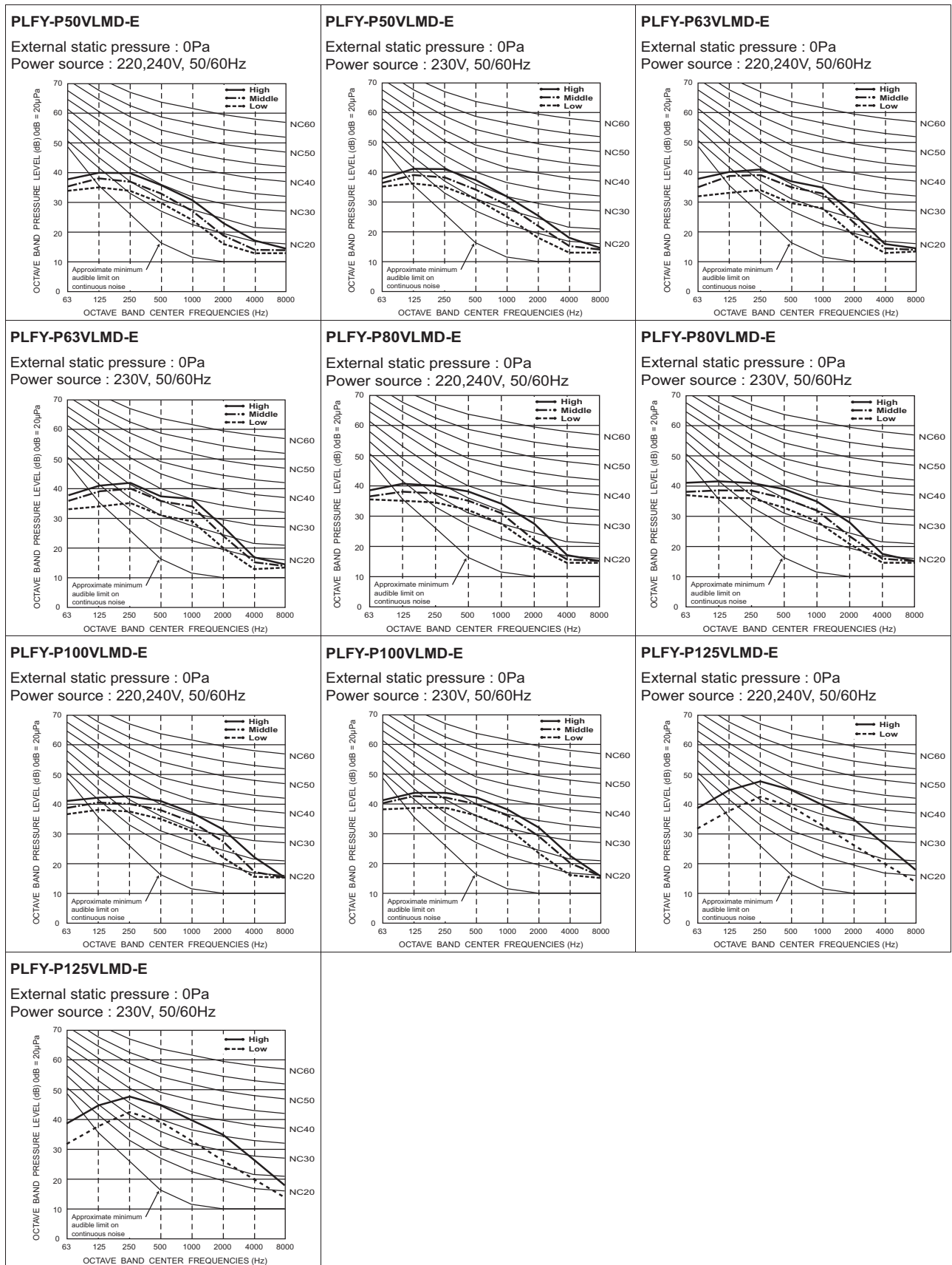
External static pressure : 0Pa
Power source : 220,240V, 50/60Hz



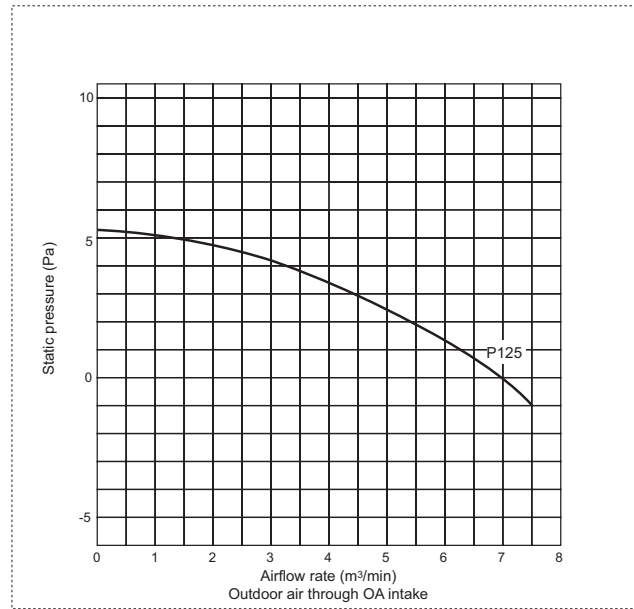
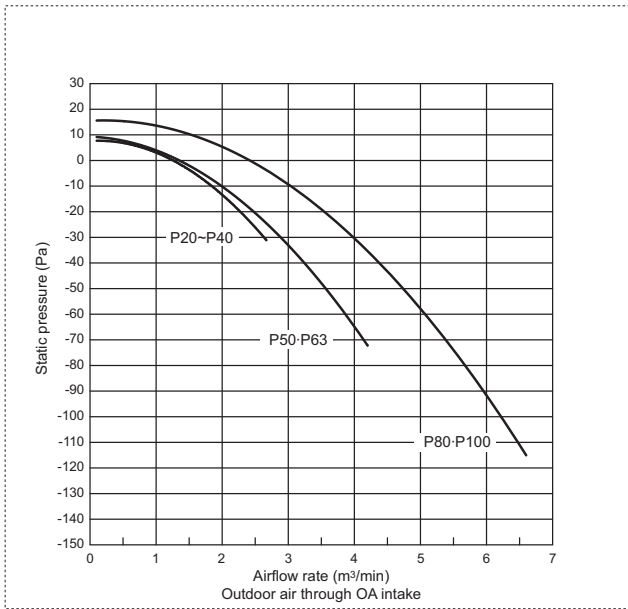
PLFY-P40VLMD-E

External static pressure : 0Pa
Power source : 230V, 50/60Hz





PLFY-P-VLM-D-E



Please confirm that inlet-air temperature (which is mixed with outdoor air) is in the following operating temperature range.

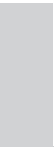
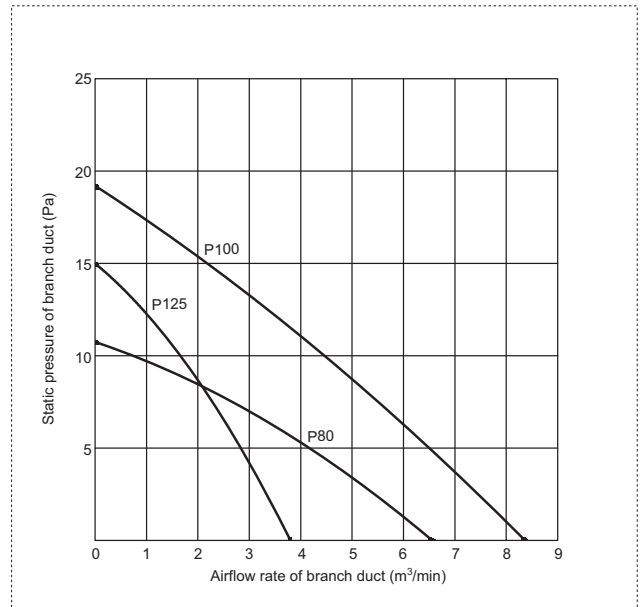
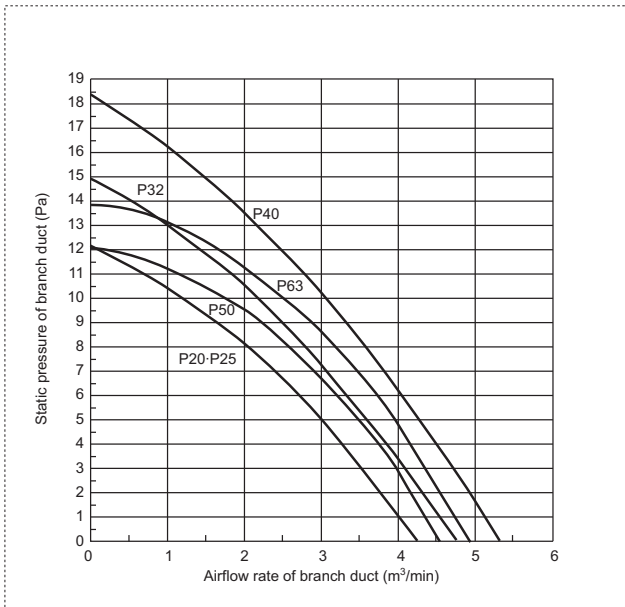
PLFY-P-VLMD-E: Operating temperature range

Mode	Temperature range of inlet air
Cooling	15°C~24°C(Wet bulb)
Dry	
Heating	15°C~27°C(Dry bulb)

*Relative humidity range is 30~80%.

7. BRANCH DUCT INTAKE-STATIC PRESSURE CURVES

Ceiling cassette (2-way flow type)

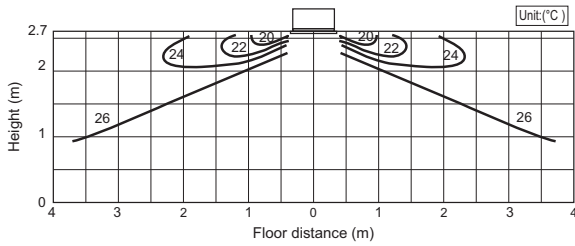


PLFY-P-VLMD-E

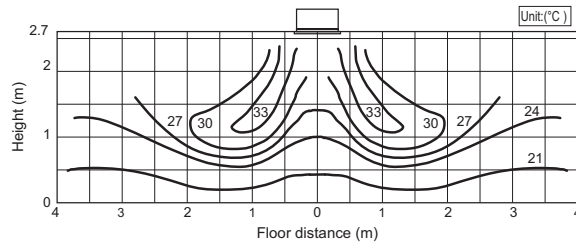
8-1. Temperature distributions

PLFY-P20-125VLMD-E

<Cooling mode>
 Airflow angle : Horizontal
 Room temp.: 27°C
 Airflow rate : High



<Heating mode>
 Airflow angle : Downward
 Room temp.: 20°C
 Airflow rate : High



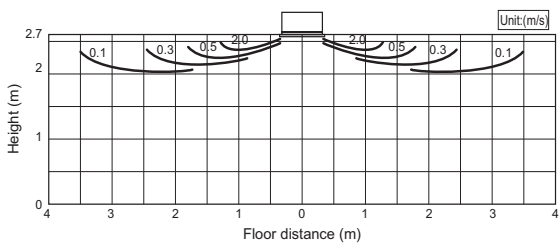
Note : These figures show typical temperature distributions in the conditions above. In the actual installation, they may differ from these figures under the influence of air temperature conditions, ceiling height, cooling/heating load, obstacles, etc.

8-2. Airflow distributions

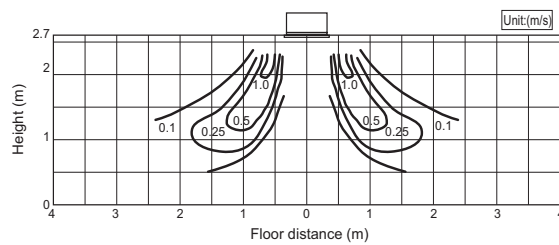
PLFY-P20-125VLMD-E

PLFY-P-VLMD-E

<Cooling mode>
 Airflow angle : Horizontal
 Room temp.: 27°C
 Airflow rate : High



<Heating mode>
 Airflow angle : Downward
 Room temp.: 20°C
 Airflow rate : High



Note : These figures show typical airflow distributions in the conditions above. In the actual installation, they may differ from these figures under the influence of air temperature conditions, ceiling height, cooling/heating load, obstacles, etc.

9. ELECTRICAL CHARACTERISTICS

Ceiling cassette (2-way flow type)

Symbols: MCA (Max.Circuit Amps =1.25xFLA), FLA (Full Load Amps)
IFM (Indoor Fan Motor), Output (Fan motor rated output)

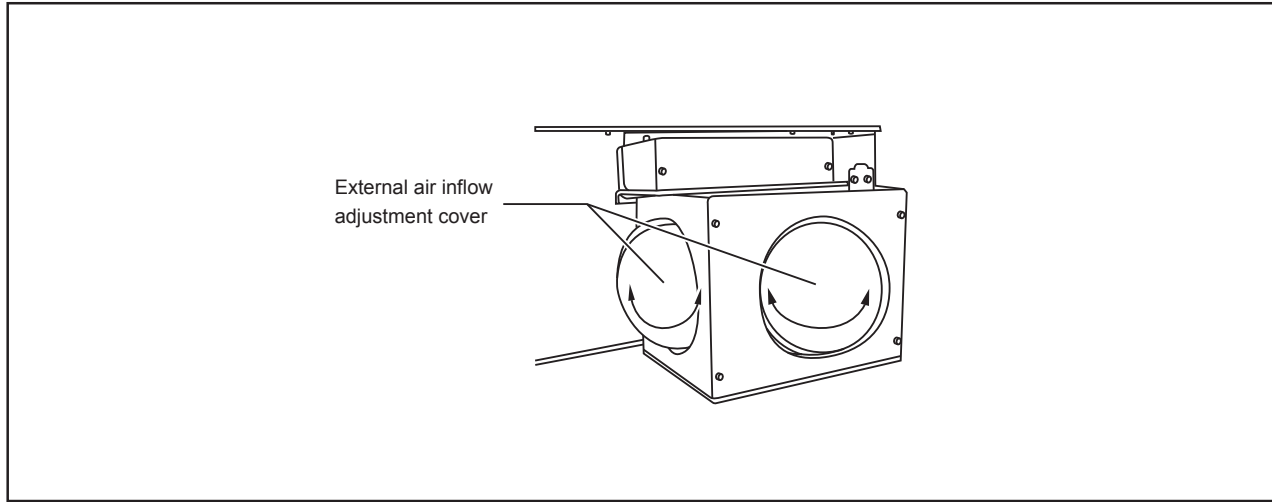
PLFY-P-VLMD-E	Power supply			IFM	
	Volts/Hz	Range +-10%	MCA(A) (50/60Hz)	Output (kW)	FLA(A) (50/60Hz)
PLFY-P20VLMD-E	220-240V/50Hz 220-230V/60Hz	Max.: 264V Min.: 198V	0.45/0.46	0.015	0.36/0.37
PLFY-P25VLMD-E			0.45/0.46	0.015	0.36/0.37
PLFY-P32VLMD-E			0.45/0.46	0.015	0.36/0.37
PLFY-P40VLMD-E			0.50/0.53	0.015	0.40/0.42
PLFY-P50VLMD-E			0.51/0.54	0.020	0.41/0.43
PLFY-P63VLMD-E			0.61/0.64	0.020	0.49/0.51
PLFY-P80VLMD-E			0.90/0.93	0.020	0.72/0.74
PLFY-P100VLMD-E			0.94/1.10	0.030	0.75/0.88
PLFY-P125VLMD-E			1.69/1.69	0.078x2	1.35/1.35

PLFY-P-VLMD-E

10-1. Optional parts line up for the Indoor unit

	OA duct flange
PLFY-P-VLMD-E	PAC-KH11OF

PLFY-P-VLMD-E



10-2. OA duct flange

OA duct flange PAC-KH11OF makes outside fresh air ducting to the Indoor unit easier.
 Material: Galvanized steel plate, with insulation sheet adhered.

Item	① External air intake ducting	② Ducting flange	③ PTT screws (4x10)
Quantity	1	1	10 (two spares)
Shape			

Detailed installation information should be referred to its Installation Manual.

PLFY-P-VLMD-E