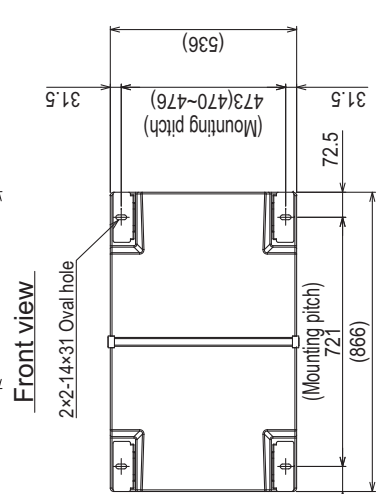
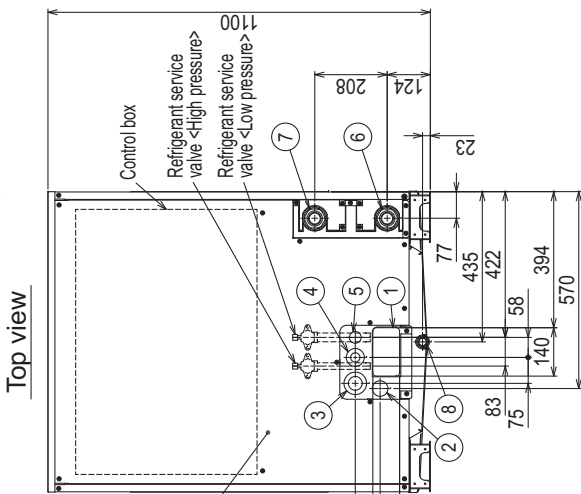
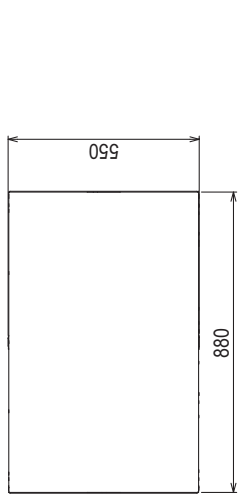


PQRV-P200, 250, 300YLM-A2

Unit: mm

- <Accessories>
- Refrigerant (high pressure) conn. pipe 1pc. (P200/P250/P300 ; Packaged in the accessory kit)
 - Refrigerant (low pressure) conn. elbow 1pc. (P200/P250/P300 ; Packaged in the accessory kit)
 - Water stopper 1pc. (P200/P250/P300 ; Packaged in the accessory kit)
 - Sealing material for water stopper 1pc. (P200/P250/P300 ; Packaged in the accessory kit)
 - Sealing material for field piping (high pressure, low pressure) 1pc. each (P200/P250/P300 ; Packaged in the accessory kit)
 - Sealing material for drain socket 1pc. (P200/P250/P300 ; Packaged in the accessory kit)
 - Pipe cover for low pressure 1pc. (P200/P250/P300 ; Packaged in the accessory kit)



- Note1. Close a hole of the water piping, the refrigerant piping, the power supply, and the control wiring and unused knockout holes with the putty etc. so as not to infiltrate rain water etc. (field erection work)
- Note2. At the time of product shipment, the front side piping specification serves as the local drainage connection. When connecting on the rear side, please remove the rear side plug sealing corks, and attach a front side. Ensure there is no leak after the attachment has been fitted.
- Note3. Take notice of service space as Fig.A. (In case of single installation, 600mm or more of back space as front space makes easier access when servicing the unit from rear side.)
- Note4. If water pipes or refrigerant pipes stretch upward, required space for service and maintenance due to replacement of control box is shown in Fig.B
- Note5. Environmental condition for installation; -20~40°C(DB) as indoor installation.
- Note6. In case the temperature around the heat source unit has possibility to drop under 0°C, be careful for the following point to prevent the pipe burst by the water pipe freeze-up.
- Circulate the water all the time even if the heat source unit is not in operation.
 - Drain the water from inside of the heat source unit when the heat source unit will not operate for a long term.
- Note7. Ensure that the drain piping is downward with a pitch of more than 1/100.
- Note8. At brazing of pipes, wrap the refrigerant service valve with wet cloth and keep the temperature of refrigerant service valve under 120°C.

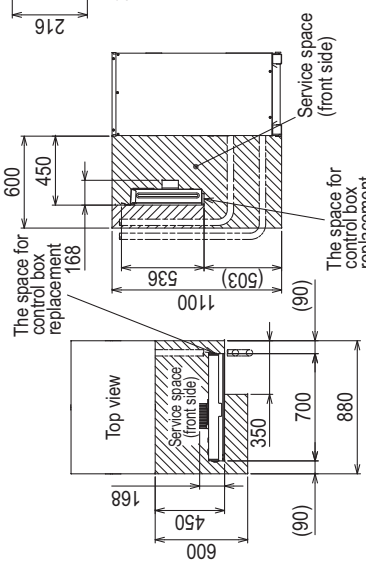


Fig.B

Fig.A

NO.	Usage	Specifications
①	Front through hole	140 x 77 Knockout hole
②	For pipes	Front through hole (Uses when twinning kit (optional parts) is mounted.)
③	For wires	Front through hole
④	For transmission cables	Front through hole
⑤	Water pipe inlet	Front through hole
⑥	Water pipe outlet	Front through hole
⑦		Rc1-1/2 Screw
⑧		Rc3/4 Screw

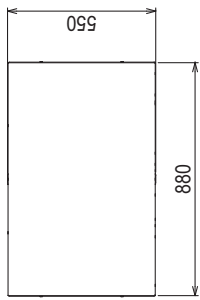
Model	Refrigerant pipe		Service valve	
	High pressure	Low pressure	High pressure	Low pressure
PQRV-P200YLM-A2	Ø15.88 Brazeed *1 *2	Ø19.05 Brazeed *1 *2	Ø19.05	Ø25.4
PQRV-P250YLM-A2	Ø19.05 Brazeed *1 *2	Ø22.2 Brazeed *1 *2		
PQRV-P300YLM-A2				

*1. Connect by using the connecting pipes and elbow that are supplied.
 *2. Use the pipe joint (field supply) and connect to the refrigerant service valve piping.

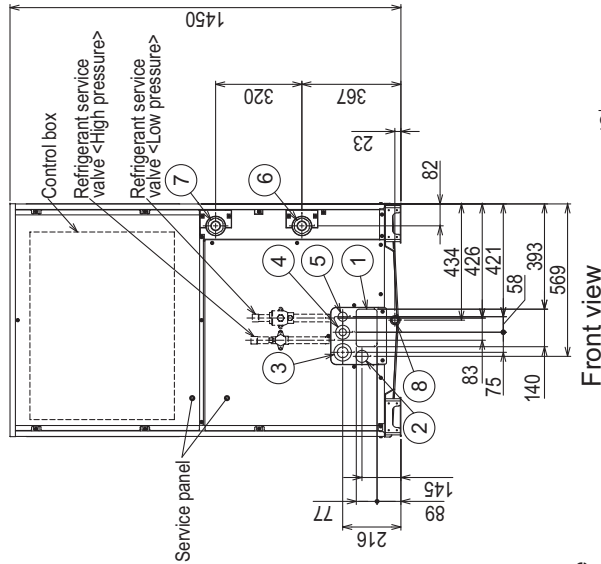
PQRY-P350, 400, 450, 500YLM-A2

Unit: mm

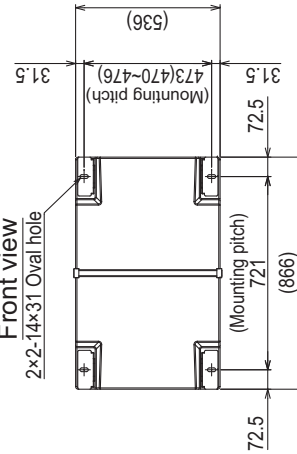
- <Accessories>
- Refrigerant (high pressure) conn. pipe.....1pc. (P-350/P-400/P-450/P-500; Packaged in the accessory kit)
 - Refrigerant (low pressure) conn. pipe..... 1pc. (P-350/P-400/P-450/P-500; Packaged in the accessory kit)
 - Water stopper.....1pc. (P-350/P-400/P-450/P-500; Packaged in the accessory kit)
 - Sealing material for water stopper.....1pc. (P-350/P-400/P-450/P-500; Packaged in the accessory kit)
 - Sealing material for field piping (high pressure, low pressure)..... 1pc. each (P-350/P-400/P-450/P-500; Packaged in the accessory kit)
 - Sealing material for drain socket..... 1pc. (P-350/P-400/P-450/P-500; Packaged in the accessory kit)
 - Pipe cover for low pressure.....1pc. (P-350/P-400/P-450/P-500; Packaged in the accessory kit)
 - Sealing material for base leg (two types).....4pcs. each (P-350/P-400/P-450/P-500; Packaged in the accessory kit)
 - Sealing material for panel.....1pc. (P-350/P-400/P-450/P-500; Packaged in the accessory kit)



Top view



Front view



Bottom view

- Note1. Close a hole of the water piping, the refrigerant piping, the power supply, and the control wiring and unused knockout holes with the putty etc. so as not to infiltrate rain water etc.(field erection work)
- Note2. At the time of product shipment, the front side piping specification serves as the local drainage connection. When connecting on the rear side, please remove the rear side plug sealing corks, and attach a front side. Ensure there is no leak after the attachment has been fitted.
- Note3. Take notice of service space as Fig.A. (In case of single installation, 600mm or more of back space as front space makes easier access when servicing the unit from rear side.)
- Note4. If water pipes or refrigerant pipes stretch upward, required space for service and maintenance due to replacement of control box is shown in Fig.B.
- Note5. Environmental condition for installation: -20~40°C(DB) as indoor installation.
- Note6. In case the temperature around the heat source unit has possibility to drop under 0°C, be careful for the following point to prevent the pipe burst by the water pipe freeze-up.
- Circulate the water all the time even if the heat source unit is not in operation.
 - Drain the water from inside of the heat source unit when the heat source unit will not operate for a long term.
- Note7. Ensure that the drain piping is downward with a pitch of more than 1/100.
- Note8. At brazing of pipes, wrap the refrigerant service valve with wet cloth and keep the temperature of refrigerant service valve under 120°C.

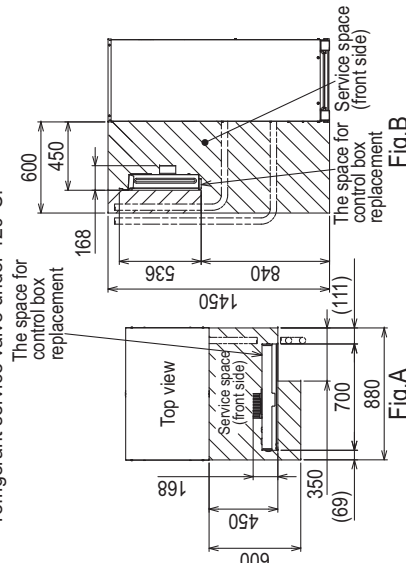


Fig.A

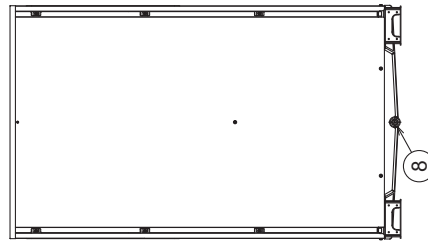
Fig.B

Connecting pipe specifications

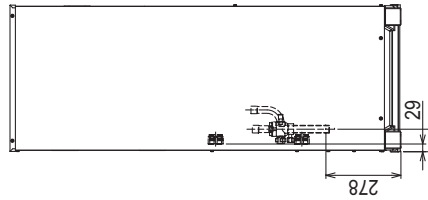
Model	Refrigerant pipe		Service valve		Diameter
	High pressure	Low pressure	High pressure	Low pressure	
PQRY-P350YLM-A2	ø22.2 Braze	ø28.58 Braze	ø25.4	ø28.58	*1
PQRY-P400YLM-A2	ø22.2 Braze	ø28.58 Braze	ø25.4	ø28.58	
PQRY-P450YLM-A2	ø22.2 Braze	ø28.58 Braze	ø25.4	ø28.58	
PQRY-P500YLM-A2	ø22.2 Braze	ø28.58 Braze	ø25.4	ø28.58	

*1. Connect by using the connecting pipes that are supplied.

Back view



Right side view



NO.	Usage	Specifications
①	Front through hole	140 x 77 Knockout hole
②	For pipes	Front through hole (Uses when twinning kit (optional parts) is mounted.)
③	For wires	Front through hole
④	For transmission cables	Front through hole
⑤	Water pipe inlet	ø65 or ø40 Knockout hole
⑥	Water pipe outlet	ø52 or ø27 Knockout hole
⑦	Drain pipe	ø34 Knockout hole
⑧		Rc1-1/2 Screw
		Rc1-1/2 Screw
		Rc3/4 Screw

