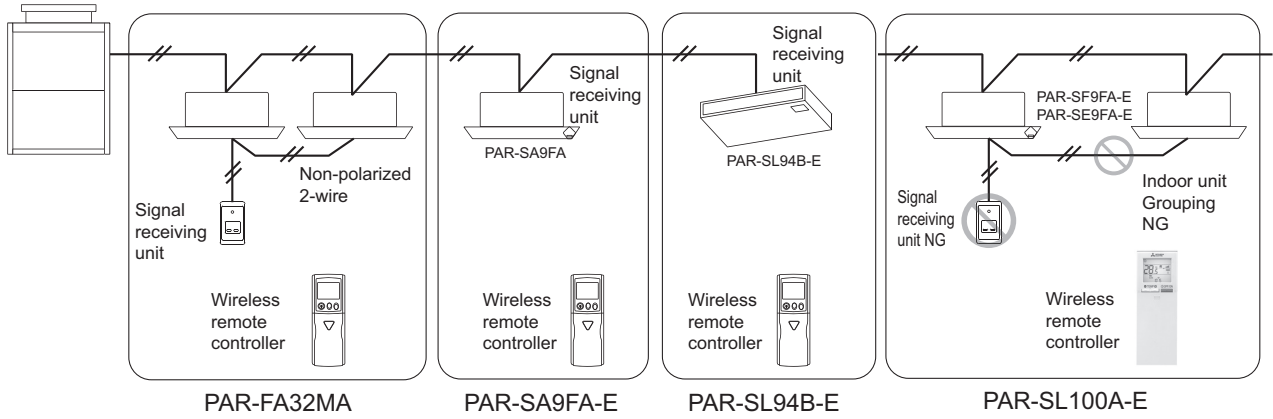


■ System example



■ External dimension

