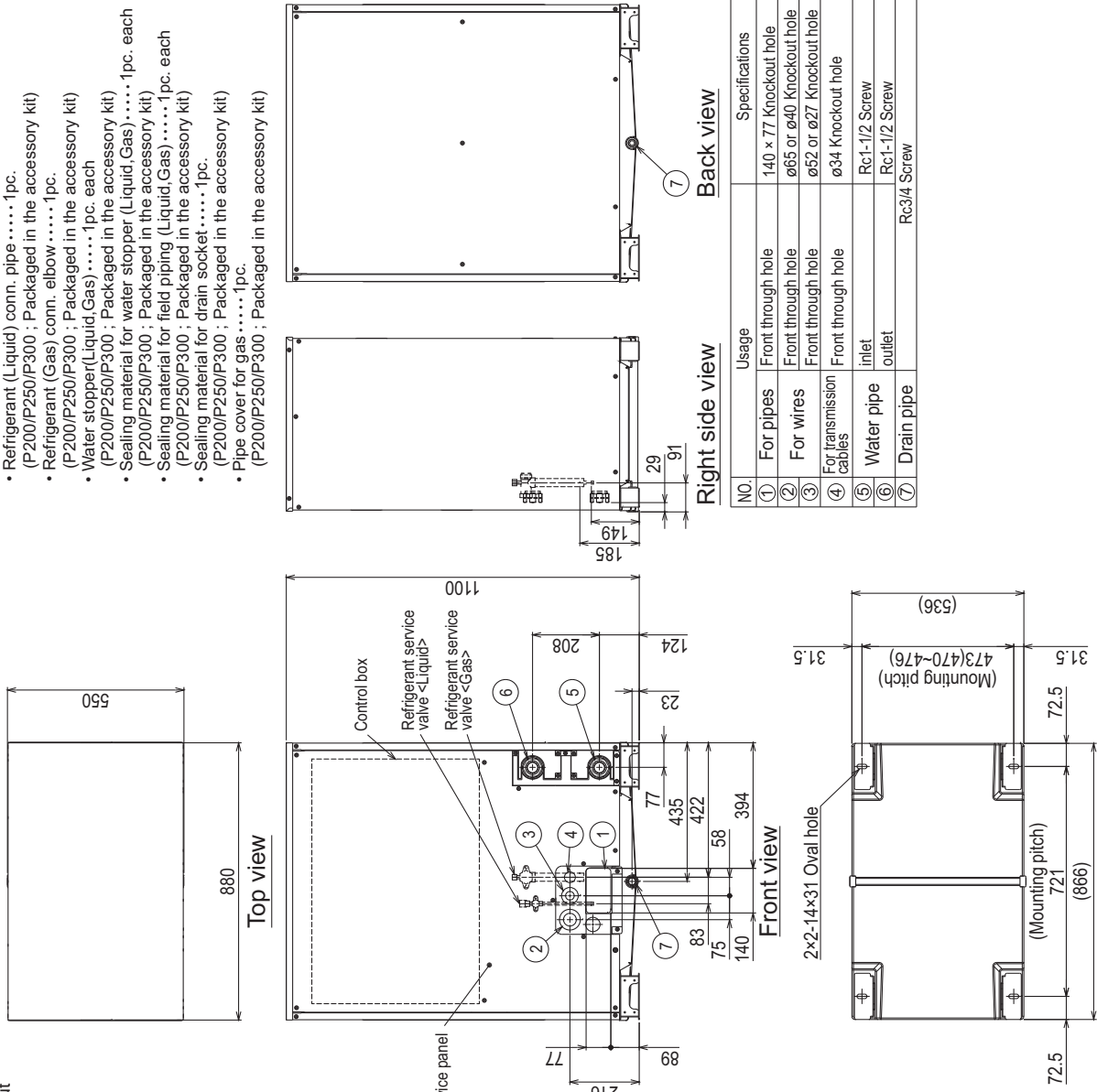


PQHY-P200, 250, 300YLM-A2

Unit: mm

- <Accessories>
- Refrigerant (Liquid) conn. pipe 1pc.
(P200/P250/P300 ; Packaged in the accessory kit)
 - Refrigerant (Gas) conn. elbow 1pc.
(P200/P250/P300 ; Packaged in the accessory kit)
 - Water stopper(Liquid,Gas) 1pc. each
(P200/P250/P300 ; Packaged in the accessory kit)
 - Sealing material for water stopper (Liquid,Gas) 1pc. each
(P200/P250/P300 ; Packaged in the accessory kit)
 - Sealing material for field piping (Liquid,Gas) 1pc. each
(P200/P250/P300 ; Packaged in the accessory kit)
 - Sealing material for drain socket 1pc.
(P200/P250/P300 ; Packaged in the accessory kit)
 - Pipe cover for gas 1pc.
(P200/P250/P300 ; Packaged in the accessory kit)



NO	Usage	Specifications
①	For pipes	Front through hole 140 x 77 Knockout hole
②	For wires	Front through hole ø65 or ø40 Knockout hole
③	For transmission cables	Front through hole ø52 or ø27 Knockout hole
④	Water pipe inlet	ø34 Knockout hole
⑤	Water pipe outlet	Rc1-1/2 Screw
⑥	Drain pipe	Rc1-1/2 Screw
⑦		Rc3/4 Screw

- Note1. Close a hole of the water piping, the refrigerant piping, the power supply, and the control wiring and unused knockout holes with the putty etc. so as not to infiltrate rain water etc. (field erection work)
- Note2. At the time of product shipment, the front side piping specification serves as the local drainage connection. When connecting on the rear side, please remove the rear side plug sealing corks, and attach a front side. Ensure there is no leak after the attachment has been fitted.
- Note3. Take notice of service space as Fig.A. (In case of single installation, 600mm or more of back space as front space makes easier access when servicing the unit from rear side.)
- Note4. If water pipes or refrigerant pipes stretch upward, required space for service and maintenance due to replacement of control box is shown in Fig.B.
- Note5. Environmental condition for installation; -20~40°C(DB) as indoor installation.
- Note6. In case the temperature around the heat source unit has possibility to drop under 0°C, be careful for the following point to prevent the pipe burst by the water pipe freeze-up.
- Circulate the water all the time even if the heat source unit is not in operation.
 - Drain the water from inside of the heat source unit when the heat source unit will not operate for a long term.
- Note7. Ensure that the drain piping is downward with a pitch of more than 1/100.
- Note8. At brazing of pipes, wrap the refrigerant service valve with wet cloth and keep the temperature of refrigerant service valve under 120°C.

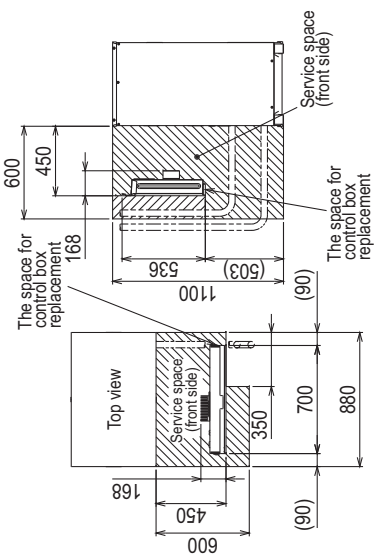


Fig.A

Fig.B

Model	Refrigerant pipe		Service valve		Diameter
	Liquid	Gas	Liquid	Gas	
PQHY-P200YLM-A2	ø9.52 Braze ¹	ø19.05 Braze ^{1,4}	ø9.52	ø25.4	ø25.4
PQHY-P250YLM-A2	ø9.52 Braze ¹	ø22.7 Braze ^{1,4}	ø9.52	ø25.4	
PQHY-P300YLM-A2	ø9.52 Braze ¹	ø12.7 Braze ^{1,4}	ø9.52 Braze ^{3,4}	ø25.4	

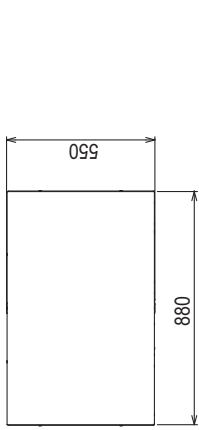
- *1. Connect by using the connecting pipes and elbow that are supplied.
- *2. Total length ≥ 90m
- *3. Total length ≥ 40m
- *4. Use the Pipe joint(field supply) and connect to the refrigerant service valve piping.

PQHY-P-Y(S)LM-A2

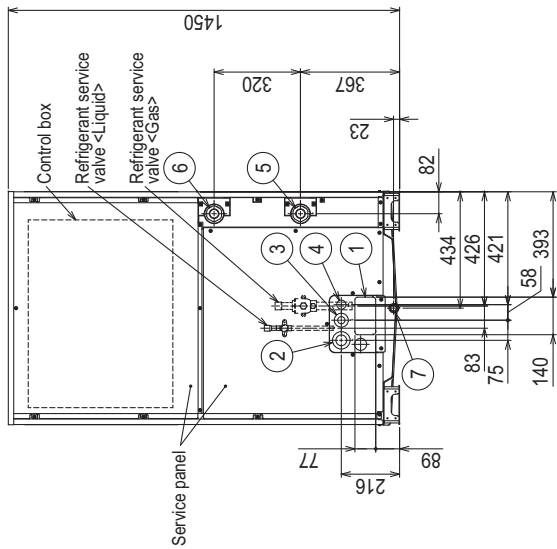
PQHY-P350, 400, 450, 500YLM-A2

Unit: mm

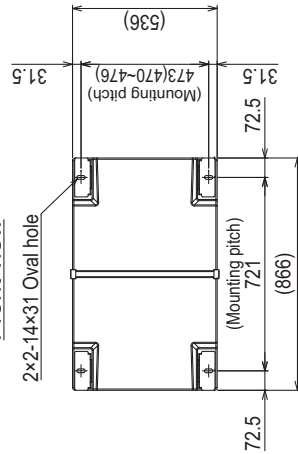
- <Accessories>
- Refrigerant (Liquid) conn. pipe.....1pc. (P350/P400/P450/P500 ; Packaged in the accessory kit)
 - Refrigerant (Gas) conn. elbow..... 1pc. (P350/P400/P450/P500 ; Packaged in the accessory kit)
 - Water stopper(Liquid,Gas)..... 1pc. each (P350/P400/P450/P500 ; Packaged in the accessory kit)
 - Sealing material for water stopper (Liquid,Gas)..... 1pc. each (P350/P400/P450/P500 ; Packaged in the accessory kit)
 - Sealing material for field piping (Liquid,Gas)..... 1pc. each (P350/P400/P450/P500 ; Packaged in the accessory kit)
 - Sealing material for drain socket..... 1pc. (P350/P400/P450/P500 ; Packaged in the accessory kit)
 - Pipe cover for gas..... 1pc. (P350/P400/P450/P500 ; Packaged in the accessory kit)
 - Sealing material for base leg (two types)..... 4pcs each (P350/P400/P450/P500 ; Packaged in the accessory kit)
 - Sealing material for panel..... 1pc. (P350/P400/P450/P500 ; Packaged in the accessory kit)



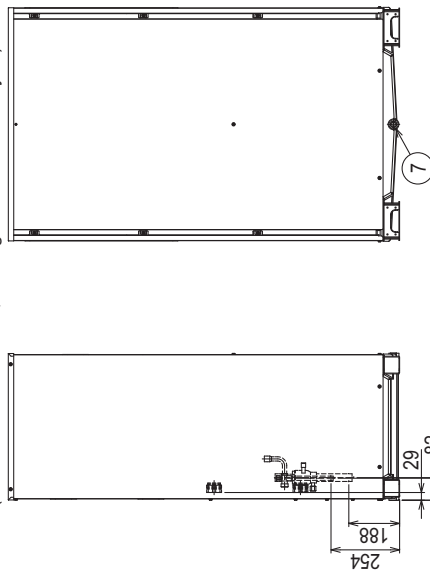
Top view



Front view



Bottom view



Right side view

Back view

NO.	Usage	Specifications
①	For pipes	140 x 77 Knockout hole
②	For wires	ø65 or ø40 Knockout hole
③	For transmission cables	ø52 or ø27 Knockout hole
④	Water pipe inlet	ø34 Knockout hole
⑤	Water pipe outlet	Rc1-1/2 Screw
⑦	Drain pipe	Rc3/4 Screw

Note1 Close a hole of the water piping, the refrigerant piping, the power supply, and the control wiring and unused knockout holes with the putty etc. so as not to infiltrate rain water etc.(field erection work)

Note2 At the time of product shipment, the front side piping specification serves as the local drainage connection. When connecting on the rear side, please remove the rear side plug sealing corks, and attach a front side. Ensure there is no leak after the attachment has been fitted.

Note3 Take notice of service space as Fig.A. (In case of single installation, 600mm or more of back space as front side makes easier access when servicing the unit from rear side.)

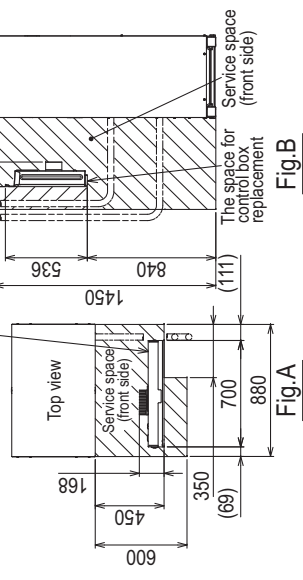
Note4 If water pipes or refrigerant pipes stretch upward, required space for service and maintenance due to replacement of control box is shown in Fig.B

Note5 Environmental condition for installation; -20~40°C(DB) as indoor installation.

Note6 In case the temperature around the heat source unit has possibility to drop under 0°C, be careful for the following point to prevent the pipe burst by the water pipe freeze-up.

Note7 Ensure that the drain piping is downward with a pitch of more than 1/100.

Note8 At brazing of pipes, wrap the refrigerant service valve with wet cloth and keep the temperature of refrigerant service valve under 120°C.



Connecting pipe specifications

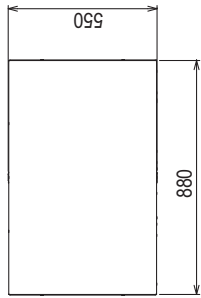
Model	Refrigerant pipe		Service valve		Diameter
	Liquid	Gas	Liquid	Gas	
PQHY-P350YLM-A2	ø12.7 Braze	ø12.7 Braze	ø15.88	ø28.58	ø15.88 ø28.58
PQHY-P400YLM-A2	ø15.88 Braze	ø15.88 Braze	ø15.88	ø28.58	
PQHY-P450YLM-A2	ø15.88 Braze	ø15.88 Braze	ø15.88	ø28.58	
PQHY-P500YLM-A2	ø15.88 Braze	ø15.88 Braze	ø15.88	ø28.58	

*1. Connect by using the connecting pipes and elbow that are supplied.
*2. Use the pipe joint(field supply) and connect to the refrigerant service valve piping.

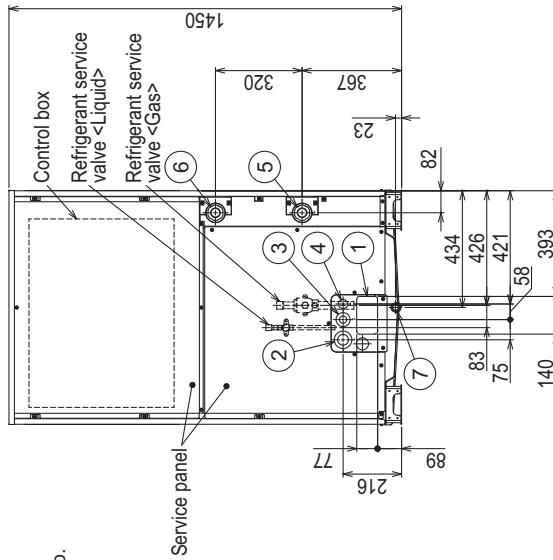
PQHY-P550, 600YLM-A2

Unit: mm

- <Accessories>
- Refrigerant (Liquid) conn. pipe 1pc.
 - (P550/P600 ; Packaged in the accessory kit)
 - Refrigerant (Gas) conn. elbow 1pc.
 - (P550/P600 ; Packaged in the accessory kit)
 - Water stopper(Liquid,Gas) 1pc. each
 - (P550/P600 ; Packaged in the accessory kit)
 - Sealing material for water stopper (Liquid,Gas) 1pc. each
 - (P550/P600 ; Packaged in the accessory kit)
 - Sealing material for field piping (Liquid,Gas) 1pc. each
 - (P550/P600 ; Packaged in the accessory kit)
 - Sealing material for drain socket 1pc.
 - (P550/P600 ; Packaged in the accessory kit)
 - Pipe cover for gas 1pc.
 - (P550/P600 ; Packaged in the accessory kit)
 - Sealing material for base leg (two types) 4pcs. each
 - (P550/P600 ; Packaged in the accessory kit)
 - Sealing material for panel 1pc.
 - (P550/P600 ; Packaged in the accessory kit)



Top view

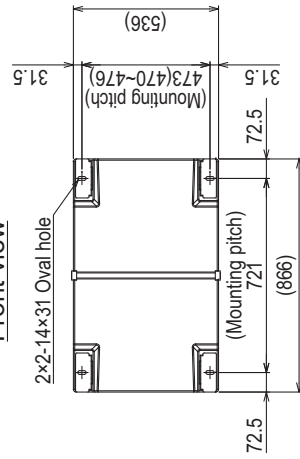


Front view

Right side view

Back view

NO.	Usage	Specifications
①	For pipes	Front through hole 140 x 77 Knockout hole
②	For wires	Front through hole ø65 or ø40 Knockout hole
③	For transmission cables	Front through hole ø52 or ø27 Knockout hole
④	Water pipe inlet	ø34 Knockout hole
⑤	Water pipe outlet	Rc1-1/2 Screw
⑥	Drain pipe	Rc1-1/2 Screw
⑦		Rc3/4 Screw



Bottom view

Note1. Close a hole of the water piping, the refrigerant piping, the power supply, and the control wiring and unused knockout holes with the putty etc. so as not to infiltrate rain water etc.(field erection work)

Note2. At the time of product shipment, the front side piping specification serves as the local drainage connection. When connecting on the rear side, please remove the rear side plug sealing corks, and attach a front side.

Note3. Take notice of service space as Fig.A. (In case of single installation, 600mm or more of back space as front space makes easier access when servicing the unit from rear side.)

Note4. If water pipes or refrigerant pipes stretch upward, required space for service and maintenance due to replacement of control box is shown in Fig.B.

Note5. Environmental condition for installation: -20~40°C(DB) as indoor installation.

Note6. In case the temperature around the heat source unit has possibility to drop under 0°C, be careful for the following point to prevent the pipe burst by the water pipe freeze-up.

•Circulate the water all the time even if the heat source unit is not in operation.

•Drain the water from inside of the heat source unit when the heat source unit will not operate for a long term.

Note7. Ensure that the drain piping is downward with a pitch of more than 1/100.

Note8. At brazing of pipes, wrap the refrigerant service valve with wet cloth and keep the temperature of refrigerant service valve under 120°C.

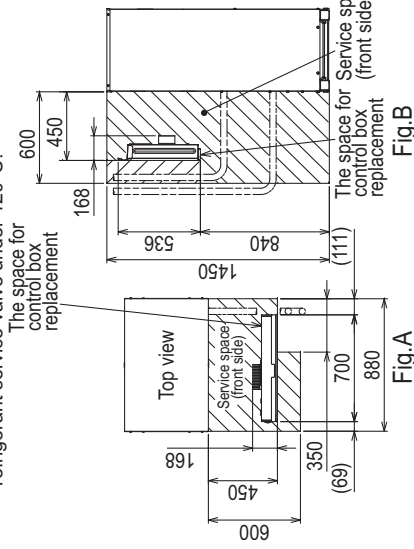


Fig.A

Fig.B

Connecting pipe specifications

Model	Refrigerant pipe		Service valve	
	Liquid	Gas	Liquid	Gas
PQHY-P550YLM-A2	ø15.88 Braze ^{*1}	ø28.58 Braze ^{*1}	ø15.88	ø28.58
PQHY-P600YLM-A2				

*1. Connect by using the connecting pipes and elbow that are supplied.